

# TONISCO® BABY

DN10 - DN25 Hot tapplings



**TONISCO® BABY**  
DN10 - DN25

## Description

TONISCO® Hot tapping machines are designed for making connections to pipelines, tanks and plant piping without shutdown or interruptions to the system.

TONISCO® Baby hot tapping machine is manual or power-driven drilling machine designed for making small branches under pressure. It can be used for under pressure connections from DN10 (3/8") up to DN25 (1").

The Compact machine is designed to be used with ball valves that have weldable or threaded connections. TONISCO® Baby can be used with most of the standard ball valves (DN10-DN25) in the market. The equipment is delivered in a small case containing everything including the power unit that is needed to accomplish the hot tapping process.

All TONISCO® Hot Tapping Tools provide an efficient and economical way of making connections to mains for repairs, relocations or additions.

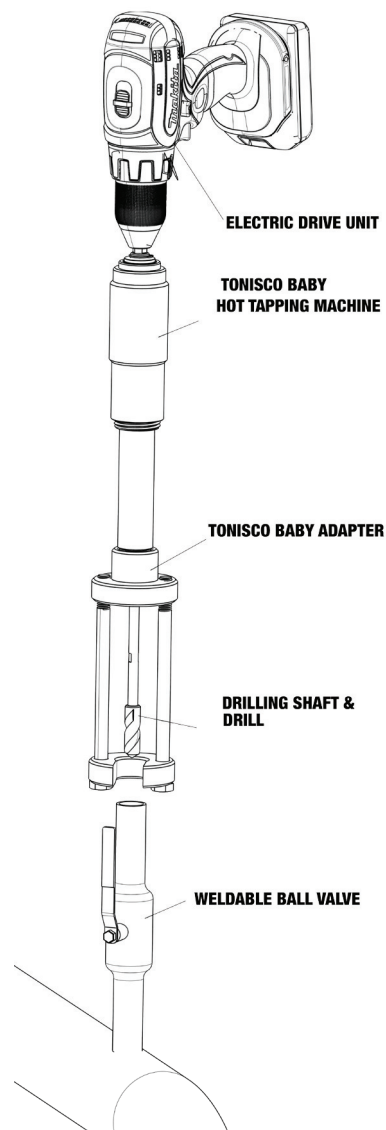
## Features

Typical TONISCO® Baby Hot tapping system includes a Power unit, different sizes of drilling shafts with integrated drill bits and connecting adapters from DN 10 to DN 25. The connection adapters are chosen according the valves used for the hot tapplings. Drilling diameters 9 - 14 mm can be carried out - depending on the opening of each valves. Beside a cordless, electric drive unit, any usual electric or pneumatic hand drill machine may be chosen to power the equipment. The equipment is delivered in a strong transport box.

The maximum allowed pressure while drilling is 25 Bar and the maximum temperature 160 °C. Depending on the material of the sealings drillings with TONISCO® Baby can be carried out to pipe lines containing various substances. Typical usage in district heating and cooling and nature Gas systems.

## TONISCO® BABY DN10 - DN25

### Typical setup up



By choosing the right adapter the TONISCO® Baby hot tapping machine can be used with most of the standard valves equipped with threaded or welded connections




**TONISCO BABY Hot Tapping Machine specifications**

Branch Size:	DN10 - DN25
Drive unit:	Electric 220-240v / 50-60 Hz 1100 VA
Body material:	CuSn10-C-GC
Feed Unit material:	S355J2
Sealings:	EPDM (available also VITON)
Inspection:	Pressure test and construction inspection
Pressure test:	25 bar
Max. operating pressure:	25 bar
Max. operating temperature:	160°C (200°C with Viton sealings)

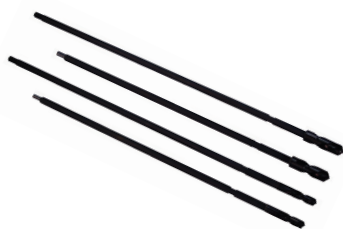
**TONISCO® BABY SET  
for THREADED connections  
DN10/15/20  
Item no. 1800.0010**


	Item	Item no.	Quantity
Drive unit	Baby electric drive	1211.0005	1
	Hot Tapping Machine	Baby feed unit Baby body unit	1855.0010 1837.0020
Adapters	Baby adapter DN10	1836.0351	1
	O-ring adapter DN10	1836.0352	1
	Baby adapter DN15	1836.0363	1
	O-ring adapter DN15	1836.0450	1
	Baby reducer DN20	1836.0460	1
	Sealing for reducer DN20	1836.0470	1
	Sealing for adapter DN15	1836.0480	1
Drills	Sealing for adapter DN10	1836.0490	1
	Drill DN10/9	1846.0409	1
Tools	Drill DN 20/13	1846.0413	1
	Adj. wrench	1850.0010	1
	Shaft wrench 7mm	1837.0500	1
	L-wrench 3mm	1213.0110	1
	Cutting Paste	1289.0010	1
	TONISCO sealant	1269.0010	1
Transport	Transport Box	1827.0010	1




**TONISCO® BABY SET**
**for WELDABLE connections  
DN15/20/25  
Item no. 1800.0020**


	Item	Item no.	Quantity
Drive unit	Baby electric drive	1211.0010	1
	Hot Tapping Machine	Baby feed unit Baby body unit	1855.0010 1837.0020
Adapters	Adapter DN15/20 Baby	1836.0150	1
	Connecting screw	1836.0209	2
	Clam DN15/20 Baby	1836.0204	1
	Adapter DN25 Baby	1836.0250	1
	Clam DN25 Baby	1836.0254	1
Drills	Drill DN10/9	1846.0409	1
	Drill DN 20/13	1846.0413	1
Tools	Adj. wrench	1850.0010	1
	Shaft wrench 7mm	1837.0500	1
	L-wrench 3mm	1213.0110	1
	Cutting Paste	1289.0010	1
	TONISCO sealant	1269.0010	1
Transport	Transport Box	1827.0010	1

**Baby Drills**


Item	Item no.
Drill DN10/9	1846.0409
Drill DN20/13	1846.0413
Drill DN10/9 Short	
Drill DN20/13 Short	

**Baby Threaded Adapters**


Item	Item no.
Baby adapter DN10	1837.0351
O-ring for adapter DN10	1837.0460
Sealing for adapter DN10	1837.0490
Baby adapter DN15	1837.0352
O-ring for adapter DN15	1837.0450
Sealing for adapter DN15	1837.0480
Baby reducer DN20	1837.0363
O-ring for reducer DN20	1837.0470




**Baby Weldable Adapters**

**Nominal size**
**Item no.**

Adapter DN15/20 Baby	1836.0150
Clam DN15/20 Baby	1836.0204
Adapter DN25 Baby	1836.0250
Clam DN25 Baby	1836.0254
O-ring for adapter DN15	1836.0152
O-ring for adapter DN20	1836.0202
O-ring for adapter DN25	1836.0252

**TONISCO Baby spare O-rings**

**Item**
**Item no.**

Bearing O-ring	1837.0430
Shaft O-ring	1837.0420
Body O-ring	1837.0440
Cover O-ring	1837.0410

**TONISCO Baby Tools**

**Item**
**Item no.**

Adj. wrench	1850.0010
Shaft wrench 7mm	1837.0500
L-wrench 3mm	1213.0110

**TONISCO Sealant & Cutting Paste**

**Item**
**Item no.**

Cutting Paste	1289.0010
TONISCO sealant	1269.0010

